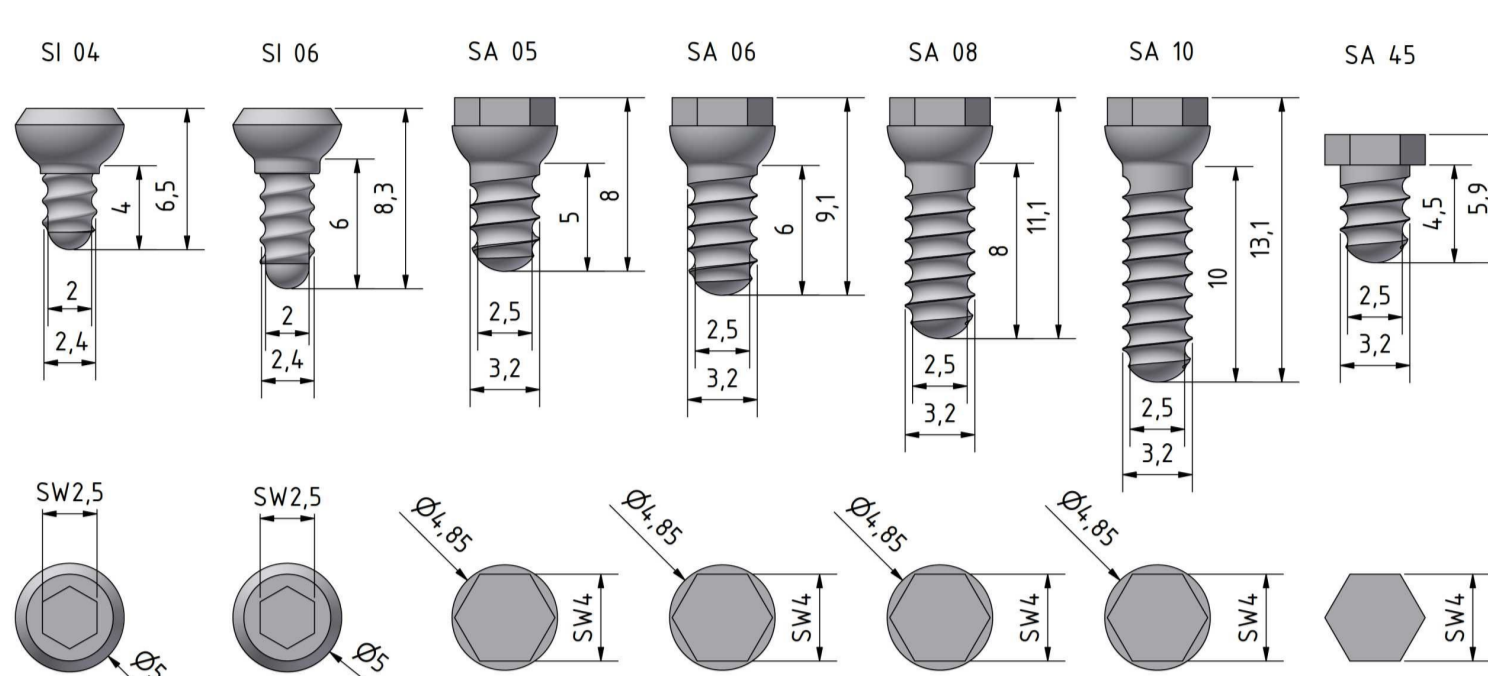




CERAMIC SCREWS

Thomas RECORDING ceramic screws are made of zirconium oxide which is biocompatible, non-magnetic, thermally stable and can be stressed mechanically.

(Developed and first published by: Nikos Logothetis et al., *Functional imaging of the monkey brain*, nature neuroscience, vol. 2 no. 6, June 1999)



Screw type: **SI04**
Article number: **AN000053**



Screw type: **SI06**
Article number: **AN000054**



Screw type: **SA45**
Article number: **AN000055**



Screw type: **SA05**
Article number: **AN000056**



Screw type: **SA06**
Article number: **AN000057**



Screw type: **SA08**
Article number: **AN000058**

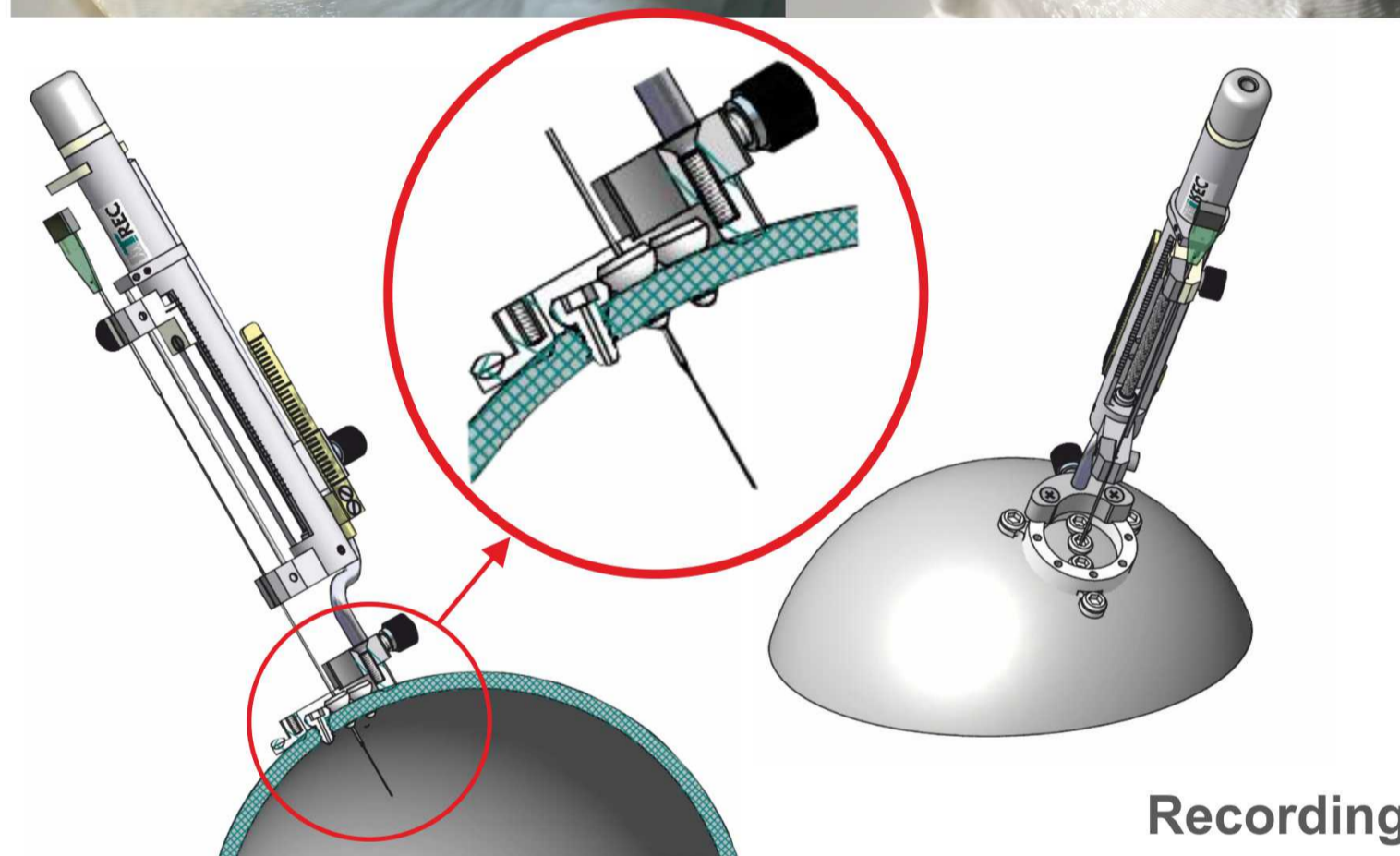
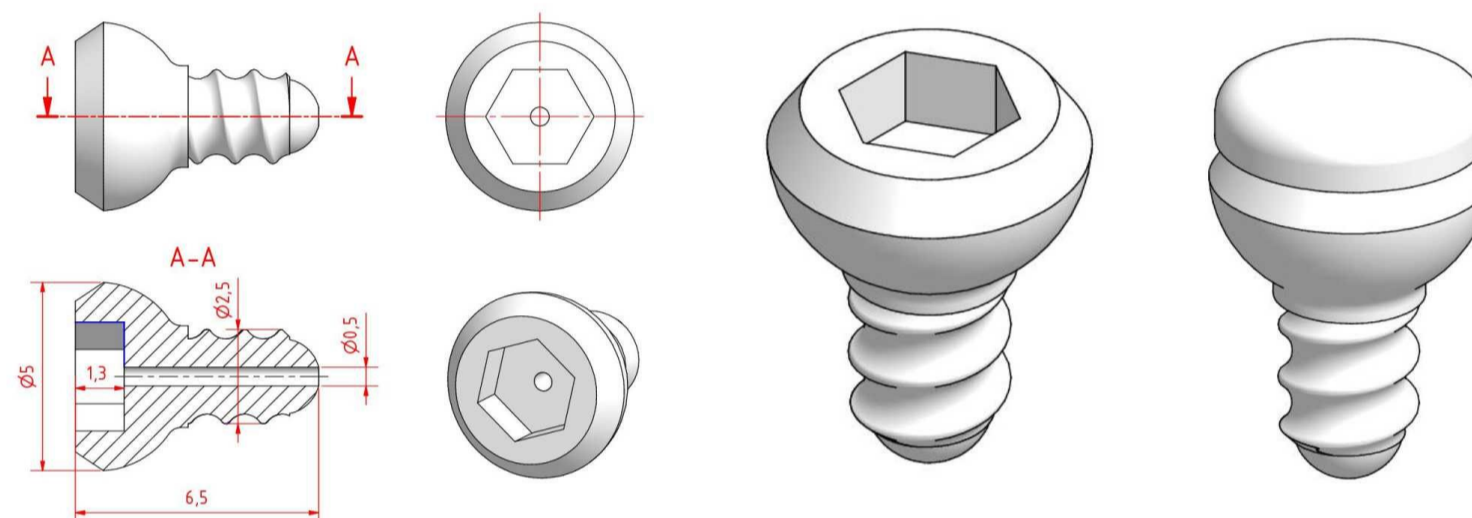


Screw type: **SA10**
Article number: **AN000059**

[Request a quote!](#)

SI-Brian Port

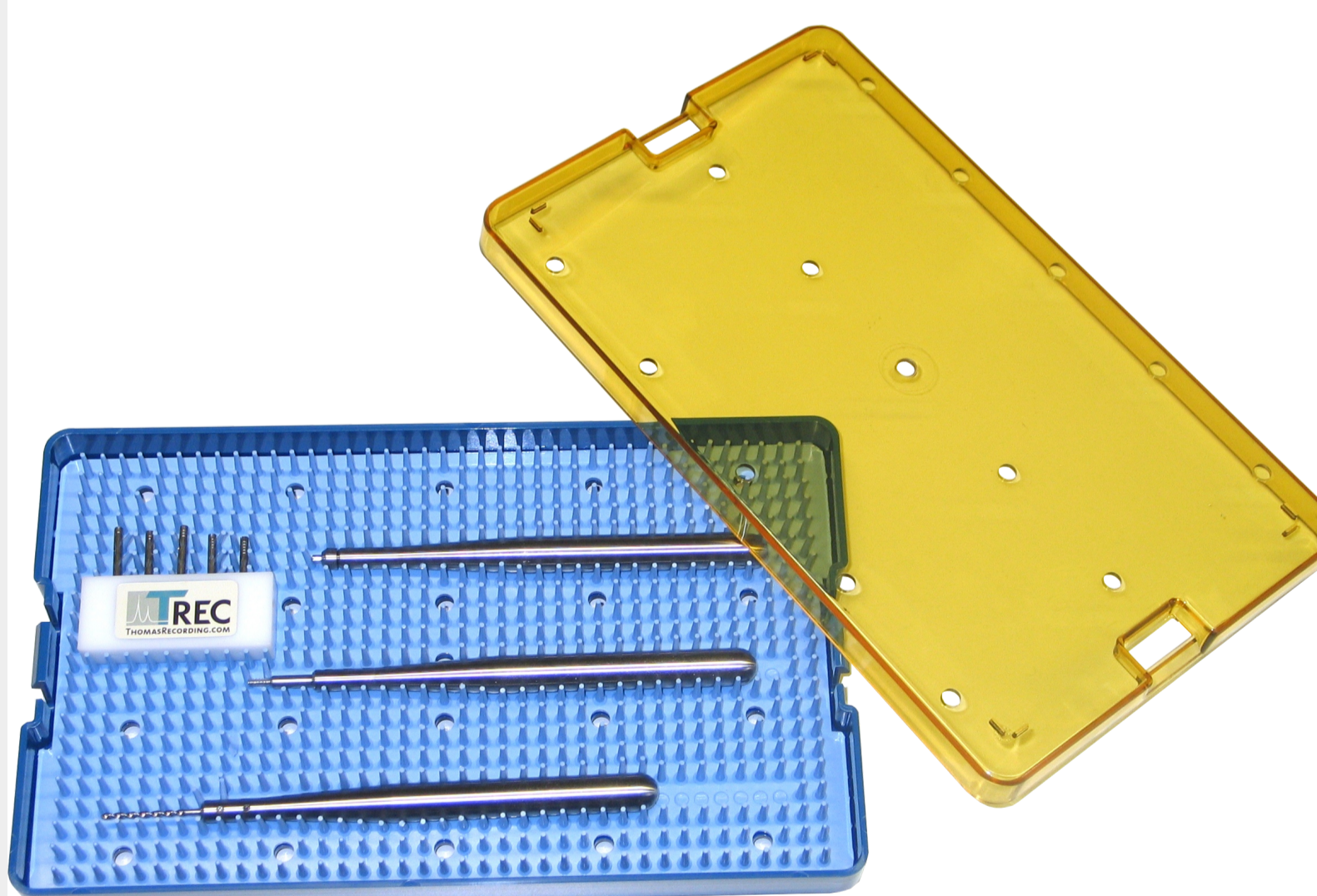
The TREC "SI BRAIN PORT" uses a ceramic screw type SI with a center hole for easy access to the brain, the use of ceramic material limits the distortion caused to the MRI scan.



[Request Information!](#)

Tools for Ceramic Screws

Thomas RECORDING offers a wide range of high quality tools especially designed for ceramic screw applications. All tools are made of stainless steel. It is possible to sterilize the tools before use.



[Learn more!](#)

Product Catalog 2023



The new Thomas RECORDING product catalog "Edition 2023" with a lot of new and exciting products is now available!

[Download Catalog!](#)

Made in **GERMANY** by **Thomas RECORDING**



Contact address:

Thomas RECORDING GmbH
Winchester Strasse 8
35394 Giessen
GERMANY

Phone: (+49) (0)641-944140
Email: info@ThomasRECORDING.com
Web: www.ThomasRECORDING.com

[Contact Form](#)